



0.40"
1050 °C

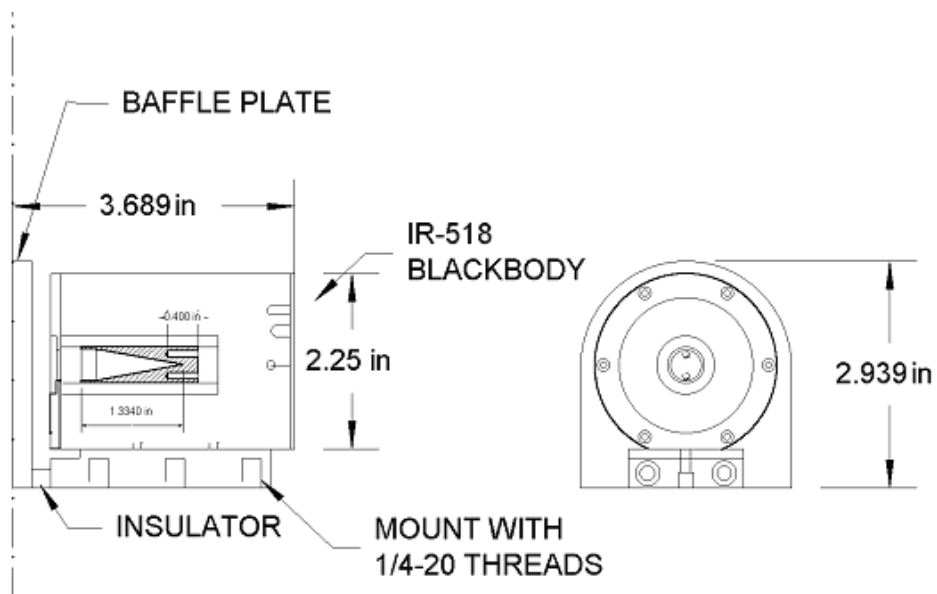
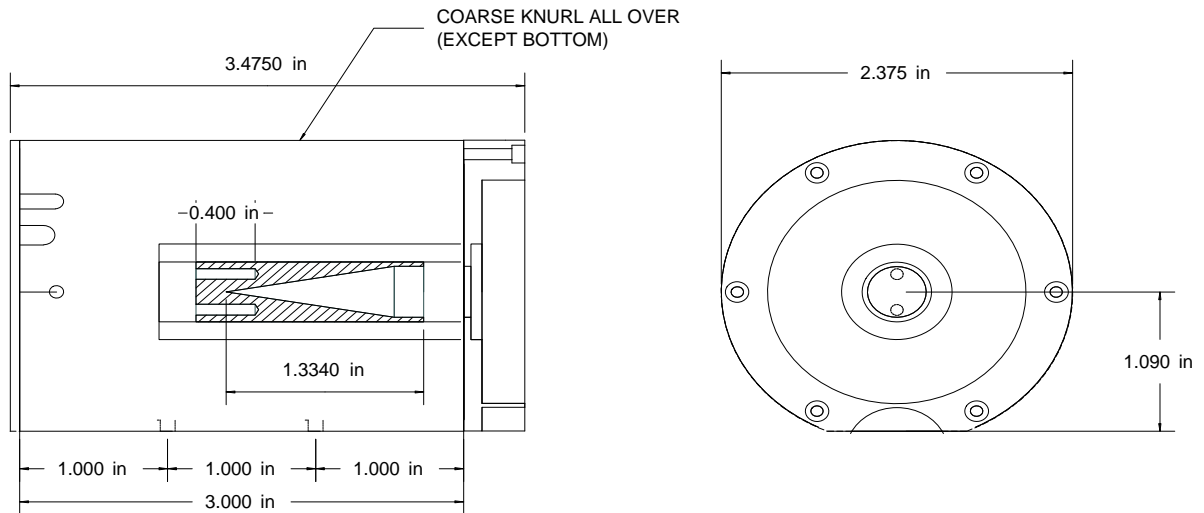
Specifications:

Temperature Range: 50 – 1050 C
Emittance Watts/Cm² (Watts): 17.36 (14)
Wavelength Range: 0.5 - 99um
Emissivity: >0.99
Emitter Size: in (mm) 0.4" (10)
Source Type: Cavity
Temperature Resolution: 0.1 C
Calibration Accuracy: +/- 0.2 C to NIST Standard
Stability: Short (Long) Term: +/- 0.1 C (+/- 0.2C)
Response Time: 100-1000 <40 Minutes
Temperature Sensors: Embedded 0.01% Matched Type S
Control Type: Active Multi-Band P.I.D.
Line Voltage: 90 to 125 or 208-240 VAC 50-60 Hz
Power Requirements: 100 Watts Max
Cable Length: 8 Feet (2.4 m)
Dimensions: in (mm) **Source:** 2.375" Diam x 3" Deep(60 x 76.2)
Controller: 5.1"H x 13.4"D x 12"W (130x340x304)
Warranty: 1 Year
Standard Apertures: 0.4" (10)
Remote Interface: RS-232, RS-485 or IEEE-488/GPIB

OPTIONS AND ADDITIONAL ACCESSORIES:

- ~ Baffle Plate / Mounting Black (shown above)
- ~ IR-762 Energy Modulator
- ~ RS232 and IEEE/GPIB Communications

IR-518/301 DIMENSIONS



WITH BAFFLE PLATE AND MOUNTING BLOCK