



**1.0"**  
**1050 °C**

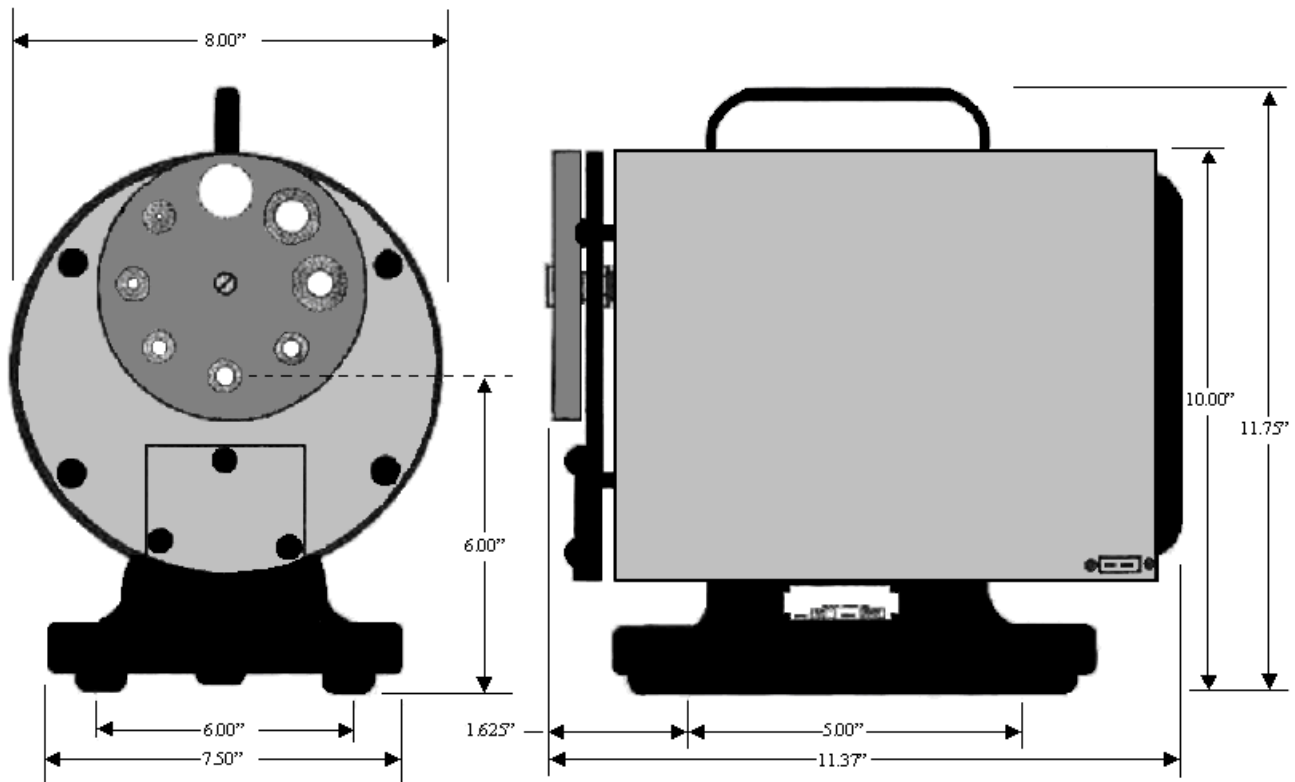
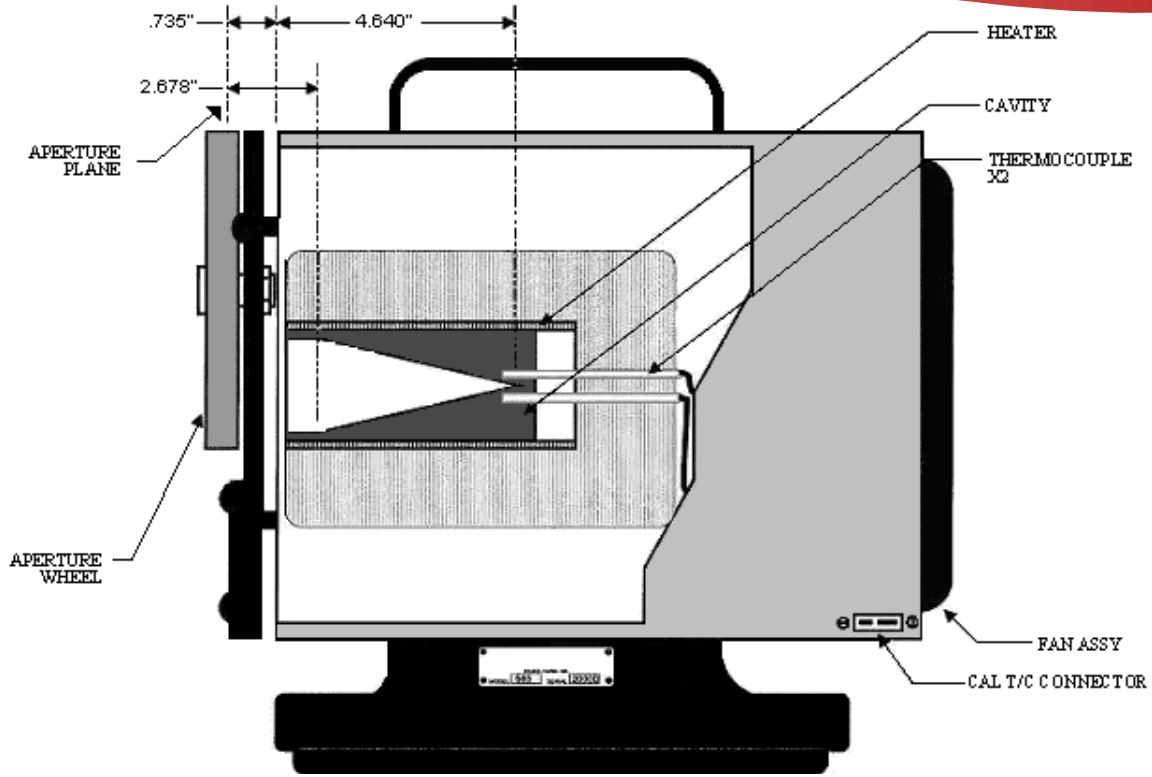
### **Specifications:**

**Temperature Range:** 50 – 1050 C  
**Emittance Watts/Cm<sup>2</sup> (Watts):** 17.36 (88)  
**Wavelength Range:** 0.5 - 99um  
**Emissivity:** >0.99  
**Emitter Size: in (mm)** 1" (25.4)  
**Source Type:** Cavity  
**Temperature Resolution:** 0.1 C  
**Calibration Accuracy:** +/- 0.2 C to NIST Standard  
**Stability: Short (Long) Term:** +/- 0.1 C (+/- 0.2C)  
**Response Time:** 100-1000 <45 Minutes  
**Temperature Sensors:** Embedded 0.01% Matched Type S  
**Control Type:** Active Multi-Band P.I.D.  
**Line Voltage:** 90 to 125 or 208-240 VAC 50-60 Hz  
**Power Requirements:** 550 Watts Max  
**Cable Length:** 8 Feet (2.4 m)  
**Dimensions: in (mm)** **Source:** 11.75" H x 11.4" D x 8" W (298x289x203)  
**Controller:** 5.1"H x 13.4"D x 12"W (130x340x304)  
**Warranty:** 2 Year  
**Standard Apertures:** 0.0125, 0.025, 0.050, 0.10, 0.20, 0.40, 0.60 and 1.0 In  
**Remote Interface:** RS-232, RS-485 or IEEE-488/GPIB

### **OPTIONS AND ADDITIONAL ACCESSORIES:**

~ IR-860 Energy Modulator  
~ RS232 and IEEE/GPIB Communications  
~ 1" Remote Control Motorized Indexed Aperture Wheel

# IR-563/301 DIMENSIONS



7319 SANDSCOVE CT. #4  $\Phi$  WINTER PARK, FL 32792

(TEL) 407-679-5101  $\Phi$  (FAX) 407-679-5520

[SALES@INFRAREDSYSTEMS.COM](mailto:SALES@INFRAREDSYSTEMS.COM) [HTTP://WWW.INFRAREDSYSTEMS.COM](http://WWW.INFRAREDSYSTEMS.COM)